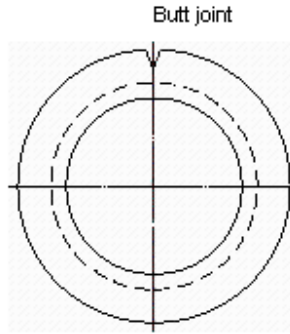
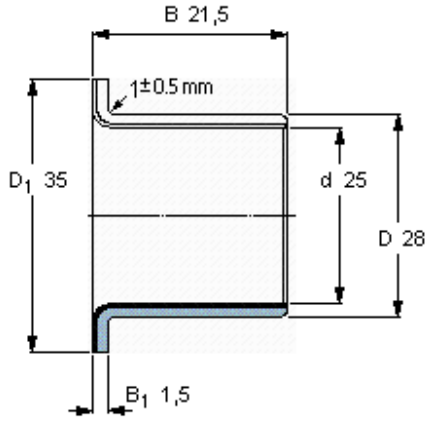


Composite dry sliding bushings, Composite dry sliding flanged bushings

Principal dimensions					Basic load ratings				Mass	Designation
d	D	D ₁	B	B ₁	radial dynamic C	static C ₀	axial dynamic C _a	static C ₀	kg	-
mm					kN					
25	28	35	21,5	1,5	37,5	116	20,4	64	0,025	PCMF 252821.5 E



Specific load factor
Material constant

K 80
K_M 480